

Travel Drives

Final Drives Small

Output torque

5 ... 30 kNm

Gear Ratios

30 ... 305 i

Standard features

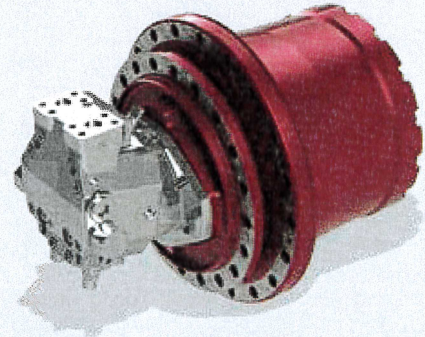
- Compact structure
- High performance
- 3-7 Planetary wheels per stage
- Notchless ground tooth root
- Different ratios
- Integrated disc-brake
- High availability by highest teeth and production quality

Proven applications

- Track drives
- Chain drives
- Wheel drives
- Reel and winchdrives
- Road cutter drum drives

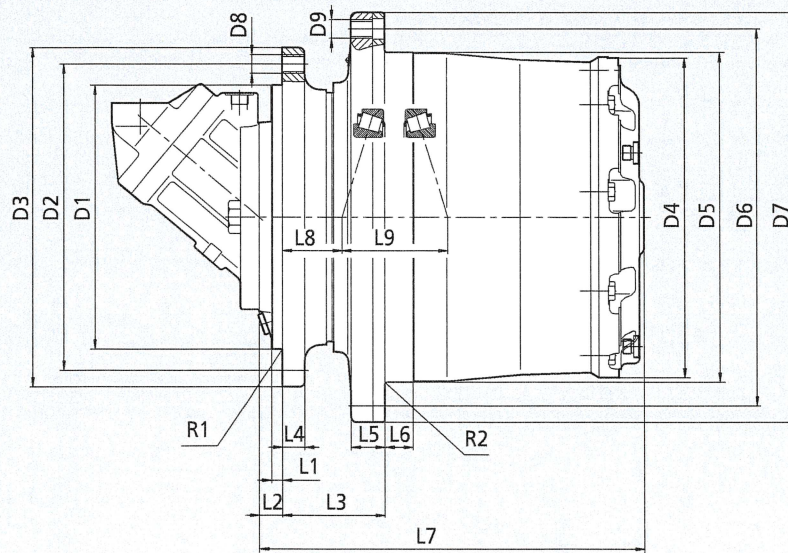
Special executions on request

- Mechanical disconnect device



Type	Output torque * (kNm)
F5	5
F10A	10
F13A	13
FD20	20
F30	30

* Stated torques are peak values for short duration



Overall dimensions and technical data

		F5	F10A	F13A	FD20	F30
Ratio ²	i	30-35-53	35-51-65	93 (41) ¹ -108-122-140-178-229	81-90-101-137-171-228	61 (19) ¹ -66 (32) ¹ -81-90-101-114-121-137-171-228-305
CAPACITY OF BEARING						
C-dynamic	kN	194	132	132	194/194	132/194
Co-static	kN	315	255	255	325/315	255/325
Weight ⁴	kg	43	45	50	72	94
MULTI-DISK BRAKE						
Locking torque	Nm	–	200	200	300	300 (255; 400) ³
Release pressure min.	bar	–	17	17	16	16 (16; 22) ³
Hydraulic motor plug in fixed	ccm	–	28-30-32	28-30-32	28-30-32	28-30-32-40-45-56-60-63
Plug in variable	ccm	–	25-45	28-45	28-45	28-45-55-60
DIMENSIONS						
L1	mm	8	10	10	10	13
L2	mm	8	30	30	41	25/22
L3	mm	70	72	72	75	75
L4	mm	19	13.5	13.5	15	15
L5	mm	18.5	15	15	28	29
L6	mm	20	16	16	25	25
L7	mm	220	230	255	300	323/320
L8	mm	38.4	28	28	15.3	28.5
L9	mm	80.2	79	79	86.3	89
R1	mm	0.6	0.6	0.6	2.5	2.5
R2	mm	0.6	0.6	0.6	2.5	2.5
D1	mm	165	190	190	240	240
D2	mm	192	230	230	275	275
D3	mm	215	256	256	304	304
D4	mm	190	216	216	250	269
D5	mm	204	220	220	270	270
D6	mm	232	260	260	305	305
D7	mm	255	290	290	335	335
D8	mm	M12x1.75	M16x2	M16x2	M16x2	M16x2
D9	mm	M12x1.75	M16x2	M16x2	M16x2	M16x2
Qty. D8 / D9		9/9	12/8	12/8	18/18	18/18

1) 2-stage

2) Other ratios on demand

3) Optional brake torques

4) Without Hydraulic motor

Travel Drives

Final Drives Medium

Output torque

40 ... 105 kNm

Gear Ratios

57 ... 226 i

Standard features

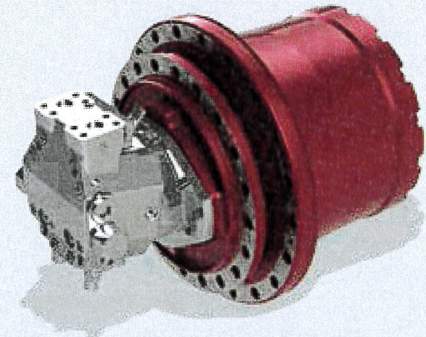
- Compact structure
- High performance
- 3-7 Planetary wheels per stage
- Notchless ground tooth root
- Different ratios
- Integrated disc-brake
- High availability by highest teeth and production quality

Proven applications

- Track drives
- Chain drives
- Wheel drives
- Reel and winchdrives
- Road cutter drum drives

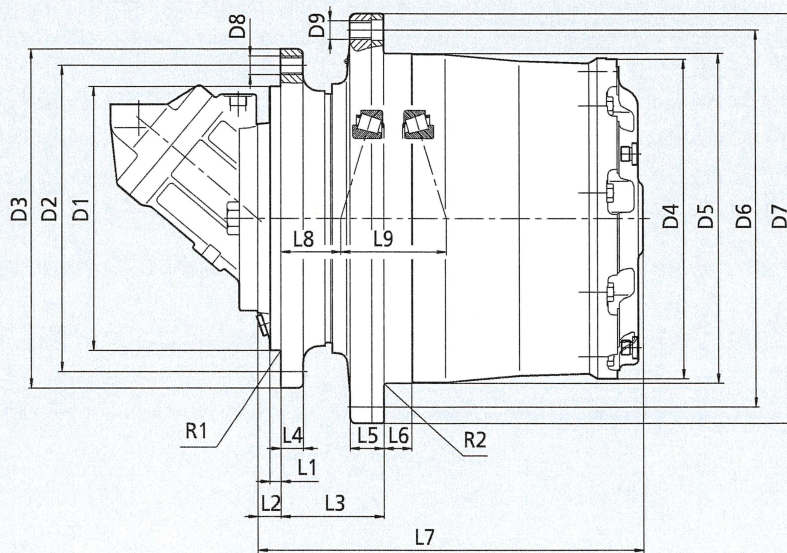
Special executions on request

- Mechanical disconnect device



Type	Output torque * (kNm)
F40	40
F40A	40
F55	55
F55A	55
F55B	55
F80	80
F80XR	80
F100	100
F100XR	100

* Stated torques are peak values for short duration



Overall dimensions and technical data

		F40	F40A	F55	F55A	F55B	F80	F80XR	F100	F100XR	
Ratio ²	i	61 (19) ¹ -66 (22) ¹ -81 (32) ¹ -85-101-110-117-124-142-181			63 (16) ¹ -68 (19) ¹ -87 (22) ¹ -94 (32) ¹ -103-117-124-137-148-185			61 (19) ¹ -81 (32) ¹ -101-114-121-137-147-171-187-206		77 (21) ¹ -84 (22) ¹ -95 (32) ¹ -121-142-175-192-226	
CAPACITY OF BEARING											
C-dynamic	kN	224	224	224	224	224	300	300	498	498	
Co-static	kN	405	405	405	405	405	570	570	1010	1010	
Weight ⁴	kg	115	123	165	177	181	230	240	330	341	
PARK BRAKE											
Locking torque	Nm	420	420	420 (390; 500) ³	420 (390; 500) ³	420 (390; 500) ³	600 (375; 550; 1000) ³	600	600 (900) ³	600	
Release pressure min.	bar	18	18	15 (15; 21) ³	15 (15; 21) ³	15 (15; 21) ³	18 (18; 19; 28) ³	18	15 (13) ³	15	
HYDRAULIC MOTOR											
Plug in fixed	ccm	40-45-56-60-63	80-90	80-90	40-45-56-60-63	-	80-90-107-110-125-160-180	80-90-107-110-160-180	107-125-160-180		
Plug in variable	ccm	55-60	80	80	55-60	107-110	80-107-110-160		107-110-160		
DIMENSIONS											
L1	mm	16	13	12	20	12	20	20	35/37	22	
L2	mm	16	35	25	30	37	35	35	35/37	35	
L3	mm	91	91	110	91	110	90	90	165	148	
L4	mm	21	21	24	24	24	22	22	28	29	
L5	mm	34	34	36	36	36	37	37	53	53	
L6	mm	26	26	30	30	30	24	23	43	30	
L7	mm	338	357	413	399	425	415	414.5	461/463	463	
L8	mm	38	38	64	45	64	34	68.5	32	32	
L9	mm	100	100	113	113	113	123	123	139	139	
R1	mm	2.5	2.5	1	4	1	4	4	10 (12)/60	2.5	
R2	mm	2.5	2.5	2.5	2.5	2.5	2.5	2.5	5	2.5	
D1	mm	240	270	280	240	290	330	330	390	380	
D2	mm	285	310	325	285	335	370	370	460	430	
D3	mm	320	345	360	320	370	410	410	500	480	
D4	mm	294	294	340	340	340	374	374	407	407	
D5	mm	295	295	350	350	350	400	400	408	430	
D6	mm	335	335	400	400	400	450	450	460	480	
D7	mm	370	370	435	435	435	490	490	500	520	
D8	mm	M20x1.5	M20x1.5	M20x1.5	M20x1.5	M20x1.5	M24x2	M20x1.5	M24x2	M24x3	
D9	mm	M20x1.5	M20x1.5	M20x1.5	M20x1.5	M20x1.5	M24x2	M20x1.5	M24x2	M24x3	
Qty. D8 / D9		20/20	16/20	24/20	20/20	20/20	20/20	20/20	30/24	20/20	

1) 2-stage

2) Other ratios on demand

3) Optional brake torques

4) Without Hydraulic motor

Travel Drives

Final Drives Large

Output torque
130 ... 560 kNm

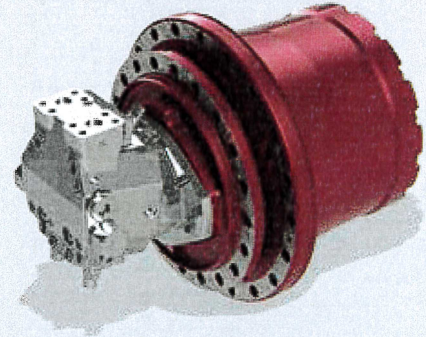
Gear Ratios
69 ... 1784 i

Standard features

- Compact structure
- High performance
- 3-7 Planetary wheels per stage
- Notchless ground tooth root
- Different ratios
- Integrated disc-brake
- Different hydraulic motors
- High availability by highest teeth and production quality

Special executions on request

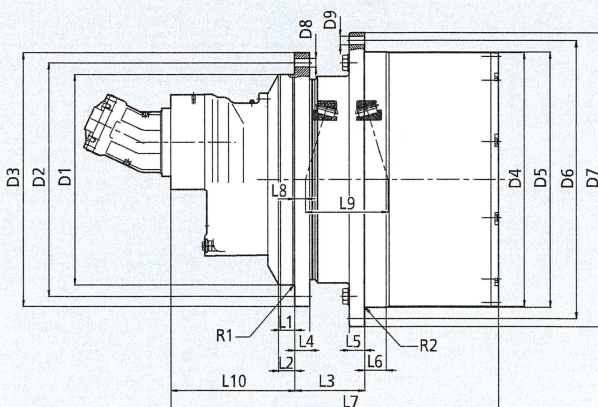
- Mechanical disconnect device



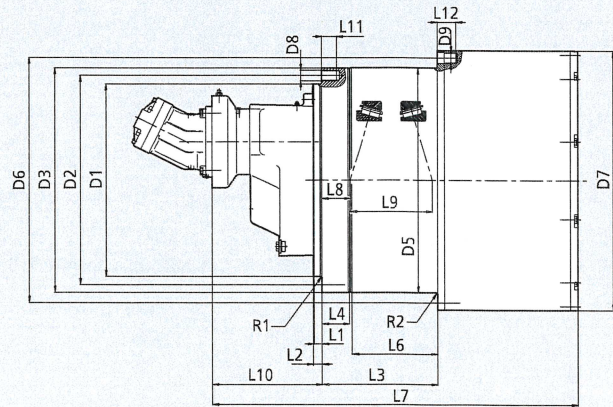
Type	Output torque * (kNm)
F130	130
F130XR	130
F180	180
F180XR	180
F220	220
F220XBR	220
F260	260
F280	280
F360	360
F420	420
F440	440
F560	560

* Stated torques are peak values for short duration

STANDARD INPUT VERSION - ST



CRAWLER CRANE VERSION - CC



Overall dimensions and technical data

		F130	F130XR	F180	F180XR	
Ratio ²	i	69 (14) ¹ -81 (18) ¹ -85 (21) ¹ -95 (26) ¹ -115-159-167-180-206	81-85-115-159-167-180-206	206-281-(412) ⁶ -(618) ⁶ -(824) ⁶		
Version ⁴		ST	ST	ST	CC	ST
CAPACITY OF BEARING						
C-dynamic	kN	523	–	787	787	787
Co-static	kN	980	–	1650	1650	1650
Weight ⁵	kg	452	465	636	636	636
PARK BRAKE						
Locking torque	Nm	750	750	1375 (800) ³	1375 (800) ³	1375 (800) ³
Release pressure min.	bar	19	19	35 (35) ³	35 (35) ³	35 (35) ³
HYDRAULIC MOTOR						
Plug in fixed	ccm	107-125-160-180		160-180	180	160-180
Plug in variable	ccm	107-160		160	–	
DIMENSIONS						
L1	mm	45	20	30	25	30
L2	mm	45	70	30	30	30
L3	mm	190	165	168	171	168
L4	mm	35	35	40	80	40
L5	mm	58	58	56	–	56
L6	mm	45	45	21.5	86	21.5
L7	mm	530	532	534.5	564.5	534.5
L8	mm	50.5	25	50.3	80.3	50.3
L9	mm	147	147	141.4	141.4	141.4
L10	mm	–	–	–	–	–
L11	mm	–	–	–	35	–
L12	mm	–	–	–	81.5	–
R1	mm	25	1.2	4	4	4
R2	mm	4	1.2	3	5	3
D1	mm	390	420	450	340	450
D2	mm	500	460	510	400	510
D3	mm	550	500	560	444	560
D4	mm	449	449	528	–	528
D5	mm	450	460	535	445	535
D6	mm	500	500	600	495	600
D7	mm	550	540	650	528	650
D8	mm	M24x2	M24x3	M24x2	M33x1.5	M24x2
D9	mm	M24x2	M18x1.5	M27x2	M27x2	M24x2
Qty. D8 / D9		32/32	24/36	30/30	24/30	30/30

1) 2-stage on demand
2) Other ratios on demand

3) Optional brake torques
4) ST= Standard CC= Crawler Crane

5) Without hydraulic motor
6) In combination with input bevel drive

Travel Drives

Final Drives Large

		F220		F220XBR		F260		F280	
Ratio ²	i	97 (298) ⁶ -119 (372) ⁶ -120 (572) ⁶ -190 (744) ⁶ -248 (805) ⁶ -290-345		97-119-190-248-290-345		69-97-168-245-345-(670) ⁶ -(1115) ⁶ -(1784) ⁶		201	
Version ⁴		ST	CC	ST	ST	CC	ST		
CAPACITY OF BEARING									
C-dynamic	kN	765	750	–	750	750	1180		
Co-static	kN	1660	1560	–	1560	1560	2600		
Weight ⁵	kg	740	895	800	865	895	1037		
PARK BRAKE									
Locking torque	Nm	1200	1000	1200	1000	1000	1650		
Release pressure min.	bar	15	15	15	15	15	15		
HYDRAULIC MOTOR									
Plug in fixed	ccm	107-180	107-180	107-180	–	–	–		
Plug in variable	ccm	160-200-215-250-280	160	160-200-215-250-280	355-250	160	250		
DIMENSIONS									
L1	mm	18	21	52	21	21	52		
L2	mm	52	25	52	45	25	125		
L3	mm	166.5	165.5	170	170	165.5	125		
L4	mm	40	54	40	40	54	40		
L5	mm	61	–	40	48	–	65		
L6	mm	35	106.5	50	60	106.5	45		
L7	mm	580.5	631.5	580.5	579	631.5	627		
L8	mm	16	42	16	18.5	42	89.3		
L9	mm	187.5	189.5	187.5	189.5	189.5	180.4		
L10	mm	–	–	–	–	–	–		
L11	mm	–	54	–	–	54	–		
L12	mm	–	75	–	–	75	–		
R1	mm	35°/16/16	–	2.5	2	–	18°/50/5		
R2	mm	4	4	–	–	4	4		
D1	mm	460	428	460	460	428	530		
D2	mm	600	474	600	520	474	630		
D3	mm	650	521	650	570	521	685		
D4	mm	540	–	538	608	–	608		
D5	mm	542	523	610	610	523	610		
D6	mm	600	570	680	680	570	685		
D7	mm	650	608	735	735	608	740		
D8	mm	M24x2	M30x2	M30x3.5	M30x2	M30x2	M30x3.5		
D9	mm	M24x2	M24x1.5	M30x3.5	33	M24x1.5	M30x3.5		
Qty. D8 / D9		38/38	30/36	30/24	24/24	30/36	28/28		

1) 2-stage on demand
2) Other ratios on demand

3) Optional brake torques
4) ST= Standard CC= Crawler Crane

5) Without hydraulic motor
6) In combination with input bevel drive

Overall dimensions and technical data

		F360	F420	F440	F560
Ratio ²	i	94 (385) ⁶ -128 (446) ⁶ -161 (670) ⁶ -168 (848) ⁶ -186 (1115) ⁶ -223 (1784) ⁶ -242-257-283-490	259	352-555-637-(445) ⁶ -(528) ⁶ -(705) ⁶	357-739-(887) ⁶
Version ⁴		ST	ST	CC	CC
CAPACITY OF BEARING					
C-dynamic	kN	1040	1120	1040	1040
Co-static	kN	2450	2555	2450	2450
Weight ⁵	kg	1080	1500	1300	2000
PARK BRAKE					
Locking torque	Nm	1700	1000	1700 (1000)*	900
Release pressure min.	bar	12	18	15 (7.8)*	13
HYDRAULIC MOTOR					
Plug in fixed	ccm	355	–	–	–
Plug in variable	ccm	355	(2x) 160	250-160	160
DIMENSIONS					
L1	mm	100	60	40	40
L2	mm	100	132	43	43
L3	mm	130	130	255	255
L4	mm	40	40	40	45
L5	mm	60	60	25	45
L6	mm	80	80	25	120
L7	mm	658	1026	820	831.5
L8	mm	25	43.5	80	80
L9	mm	215	210.7	213	213
L10	mm	–	–	–	–
L11	mm	–	–	40	45
L12	mm	–	–	70	70
R1	mm	18°/100/16	10	4	4
R2	mm	10	10	4	4
D1	mm	580	660	450	450
D2	mm	680	744	515	515
D3	mm	735	795	569	569
D4	mm	649	670	669	763
D5	mm	650	674	570	570
D6	mm	720	744	620	620
D7	mm	775	795	670	670
D8	mm	M30x3.5	M30x2	M36x3	M36x1.5
D9	mm	M30x3.5	M30x2	M30x3	M30x1.5
Qty. D8 / D9		30/30	42/42	30/30	29/42

* Park brake integrated in hydraulic motor

1) 2-stage on demand
2) Other ratios on demand

3) Optional brake torques

4) ST= Standard CC= Crawler Crane

5) Without hydraulic motor

6) In combination with input bevel drive

Travel Drives

Final Drives XLarge

Output torque
620 ... 2916 kNm

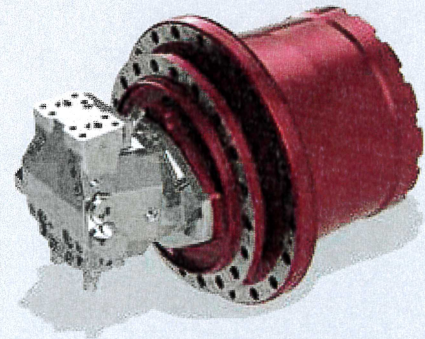
Gear Ratios
249 ... 989 i

Standard features

- Compact structure
- High performance
- 3-7 Planetary wheels per stage
- Notchless ground tooth root
- Different ratios
- Integrated disc-brake
- Suitable for various hydraulic motors
- High availability by highest teeth and production quality

Special executions on request

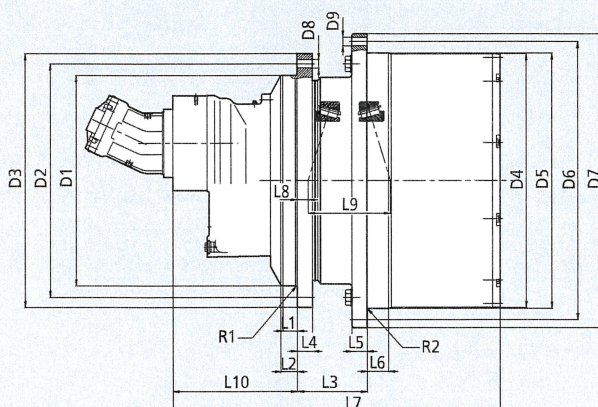
- Mechanical disconnect device



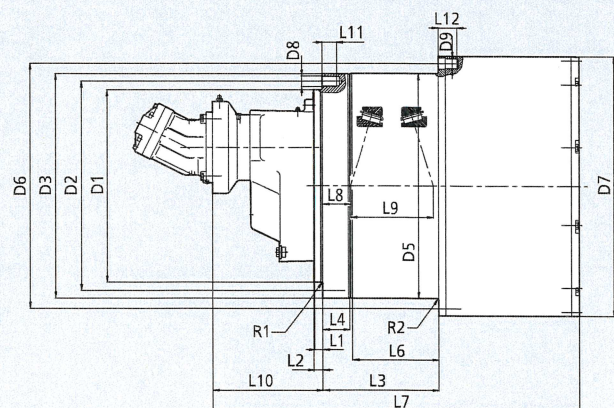
Type	Output torque * (kNm)
F620	620
F650	650
F700	700
F700A	700
F800	800
F1100	1100
F1300	1300
F1800	1800
F2200	2200
F3000	2916

* Stated torques are peak values for short duration

STANDARD INPUT VERSION - ST



CRAWLER CRANE VERSION - CC



Overall dimensions and technical data

		F620		F650		F700	
Ratio ¹	i	249-293-328-462		682		377	
Version ²		ST	CC	CC		CC	
CAPACITY OF BEARING							
C-dynamic	kN	1320	1320	1040	1320		
Co-static	kN	3150	3150	2450	3150		
Weight ³	kg	2897	2897	1660	3350		
PARK BRAKE							
Locking torque	Nm	1200	1200	1150	1200		
Release pressure min.	bar	28	28	17	28		
HYDRAULIC MOTOR							
Fixed	ccm	(2x) 250-(1x) 500	(2x) 200-(2x) 160	–		(2x) 250	
Variable	ccm	(2x) 250-(2x) 280-(1x) 500	(2x) 160	(2x) 215	(2x) 250-(2x) 280		
DIMENSIONS							
L1	mm	50	30	40	30		
L2	mm	57.5	33	43	33		
L3	mm	245	405	255	405		
L4	mm	52.5	96	89	96		
L5	mm	53	–	–	–		
L6	mm	75	306	117	306		
L7	mm	1232	1159	846.5	1283.5		
L8	mm	38	99	133	99		
L9	mm	287	287	213	287		
L10	mm	341	352.8	–	352.8		
L11	mm	–	50	45	50		
L12	mm	–	65	70	65		
R1	mm	4	4	4	4		
R2	mm	–	5	4	5		
D1	mm	730	668	450	668		
D2	mm	810	726	515	726		
D3	mm	880	779	563	779		
D4	mm	880	–	–	–		
D5	mm	885	782	570	780		
D6	mm	965	830	620	850		
D7	mm	1020	880	763	900		
D8	mm	M30x2	M36x1.5	M36x1.5	M36x1.5		
D9	mm	M30x2	M30x1.5	M30x1.5	M36x1.5		
Qty. D8 / D9		41/48	30/45	29/42	30/45		

* Park brake integrated in hydraulic motor

1) Other ratios on demand

2) ST= Standard CC= Crawler Crane

3) Without hydraulic motor

Travel Drives

Final Drives XLarge

		F700A	F800	F1100	F1300
Ratio ¹	i	648	283-298	406	461
Version ²		CC	ST	ST	ST
CAPACITY OF BEARING					
C-dynamic	kN	1320	2485	3900	3900
Co-static	kN	3150	5941	7650	7650
Weight ³	kg	3350	3764	7220	7400
PARK BRAKE					
Locking torque	Nm	1200	1000*	1750	1750
Release pressure min.	bar	28	7.8*	20	20
HYDRAULIC MOTOR					
Fixed	ccm		(2x) 250	(2x) 250	(2x) 250
Variable	ccm	(2x) 160	(2x) 250-(2x) 280	(2x) 250-(2x) 280	
DIMENSIONS					
L1	mm	30	20	57	57
L2	mm	33	25	60	60
L3	mm	405	229	503	503
L4	mm	96	60	74	74
L5	mm	-	58	-	-
L6	mm	306	170	-	-
L7	mm	1372.5	1315	1483	1623
L8	mm	99	161/163	176	176
L9	mm	287	257/253	368	368
L10	mm	474.8	713	713	395.5
L11	mm	50	-	-	-
L12	mm	65	-	-	-
R1	mm	4	6	10	10
R2	mm	5	8	6	6
D1	mm	668	830	1110	1110
D2	mm	726	980	1230	1230
D3	mm	779	1050	1310	1310
D4	mm	-	916	1116	1116
D5	mm	780	920	-	1100
D6	mm	850	976	1170	1170
D7	mm	900	1055	1226	1226
D8	mm	M36x1.5	M30x2	M36x4	M36x4
D9	mm	M36x1.5	M30x2	M30x3.5	M30x3.5
Qty. D8 / D9		30/45	48/48	48/52	48/52

* Park brake integrated in hydraulic motor

1) Other ratios on demand

2) ST= Standard CC= Crawler Crane

3) Without hydraulic motor

Overall dimensions and technical data

		F1800		F2200		F3000
Ratio ¹	i	656-744		552-989		699
Version ²		ST	CC	ST	CC	ST
CAPACITY OF BEARING						
C-dynamic	kN	3900	3900	5100	3900	6110
Co-static	kN	7650	7650	11600	7650	11900
Weight ³	kg	7500	9000	10736	9000	11500
PARK BRAKE						
Locking torque	Nm	1200	1200	2300	1200	1700
Release pressure min.	bar	28	28	22	28	12
HYDRAULIC MOTOR						
Fixed	ccm		(2x) 250	(2x) 355	(2x) 250	
Variable	ccm	(2x) 250-(2x) 280	(2x) 250-(2x) 280	(2x) 355	(2x) 250-(2x) 280	(2x) 250-(2x) 280
DIMENSIONS						
L1	mm	54	55	60	55	60
L2	mm	60	60	70	60	70
L3	mm	310	478	343	478	343
L4	mm	74	158	80	158	80
L5	mm	107	–	100	–	100
L6	mm	191.5	239	80	239	80
L7	mm	1839.5	1785.5	1846	1956,5	2000
L8	mm	176	171	217	171	217
L9	mm	368	375	376	375	376
L10	mm	615.5	602,5	591	626	606
L11	mm	–	50	–	55	–
L12	mm	–	90	–	93	–
R1	mm	10	4	10	4	10
R2	mm	10	6	10	6	10
D1	mm	1110	785	1288	785	1288
D2	mm	1230	851	1400	858	1400
D3	mm	1310	923	1500	930	1500
D4	mm	1224	–	1224	–	1224
D5	mm	1250	935	1230	935	1230
D6	mm	1350	1016	1320	1016	1320
D7	mm	1430	1224	1400	1224	1400
D8	mm	M36x1.5	M42x2	M42x3	M48x2	M42x3
D9	mm	M42x2	M42x2	M42x3	M48x2	M42x3
Qty. D8 / D9		48/40	40/40	50/48	36/36	50/48

* Park brake integrated in hydraulic motor
1) Other ratios on demand

2) ST= Standard CC= Crawler Crane
3) Without hydraulic motor